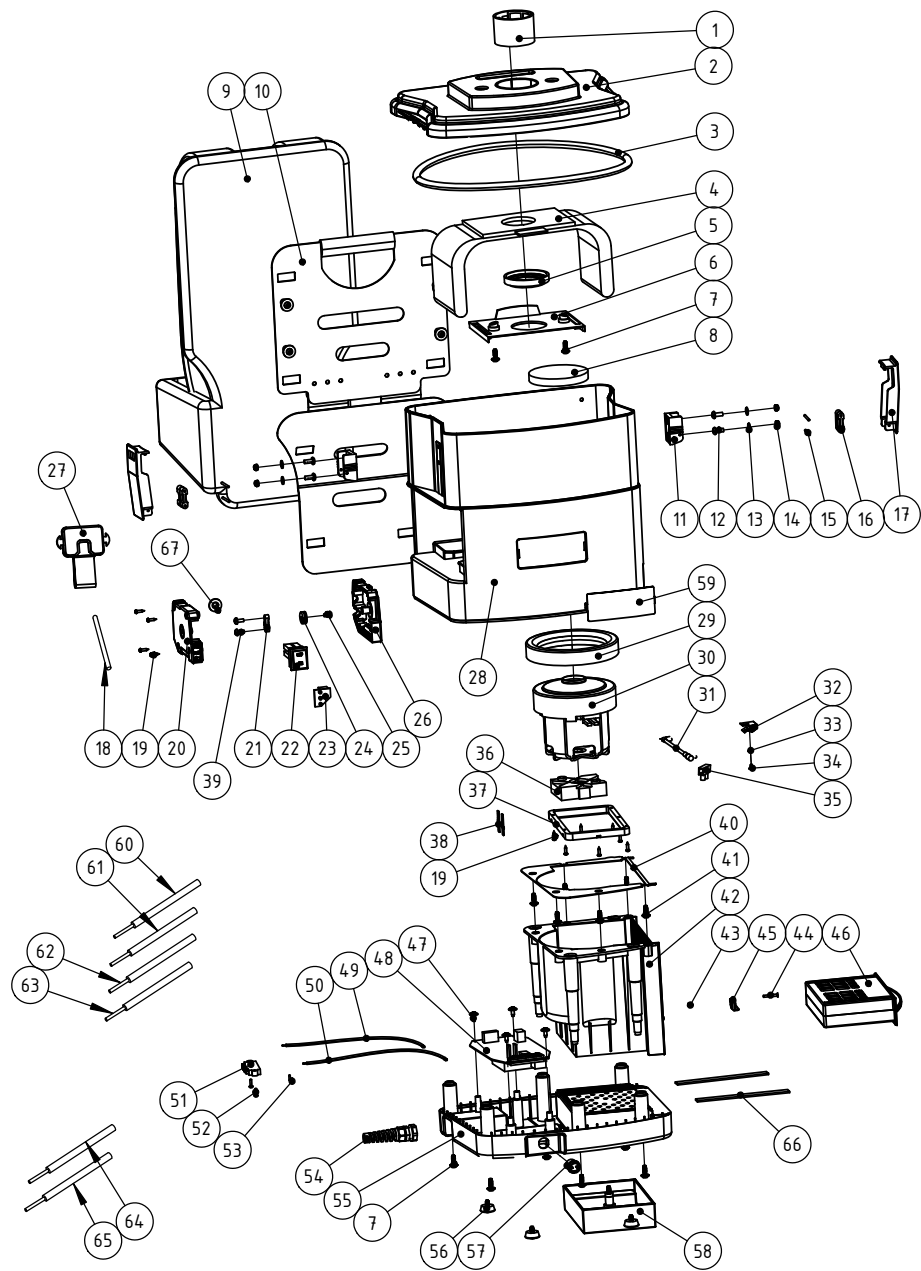


1	2	3	4	5	6
Revision	Description	Revised	Date		
A	FIRST RELEASE	CONNIE	15/05/2018		

Item	P/N	Decroption	Qty.
1	70.0016.000	INSERT DUPRO BLACK ESD	1
2	114.0001.X	LID I-move	1
3	105.0016.0	Rubber seal Dia10 X L 888 mm EDPM 50HARD	1
4	22.0094.830	PAPER BAG S/F C05/C06	1
5	114.0020.0	Paper holder seals for i-Move, silicone	1
6	70.0009.X	Paper bag holder	1
7	54.0027.2	Screw ST5X20	13
8	105.0021.0	SILENCERS-COTTON 4 FOR C5 density 35	1
9	114.0015.0	Belts and straps I-move	1
10	S.114.0013.0	Harness assy. for I-move	1
11	76.9002.2	HOLDER CLIP C06/9	2
12	25.0032.0	SCREW M5 X 12	4
13	105.0025.0	SEAL RING STICK EVA 11x6x1mm	4
14	04.0048.0	NUT M5 NYLON	4
15	76.9002.1	SCHAFT CLIP C06/9	4
16	76.9002.3	HINGE CLIP C06/9	4
17	76.9002.4	CLIP C06/9	2
18	114.0010.0	Signal 6 cable split conductor L=100cm DIA=7mm	1
19	85.1008.1	SCREW ST3 X12 CROSSHEAD SELFTAPPING BL-NI, SST	11
20	114.0007.X	Switch box(DC) rear cover with translucent film I-move	1
21	00.0052.0	CABLE RESTRAIN INTERNAL	1
22	04.0009.30	SWITCH 4P LIGHT GREEN 0/I	1
23	114.0008.0	led PCB I-move	1
24	114.0012.0	Brass button I-move	1
25	51.0023.0	SCREW M4X8MM	1
26	114.0006.X	Switch box(DC) front cover I-move	1
27	S.97.0010.0	BELT CLIP TO BATTERY CASE	1
28	114.0002.X	Main POT I-move	1
29	105.0033.0	RUBBER BOTTOM DOMEL C5B	1
30	57.0045.0	MOTOR 450W DC24V DOMEL	1
31	105.0054.0	THERMAL SWITCH 110C for domel DC24V AWG12	1
32	85.0044.1	FIXING CLIP THERMAL SWITCH	1
33	105.0052.0	NUT M12 FLAT	1
34	105.0053.0	SCREW M2 X6 CROSS HEAD=D7 NYLOK	1
35	105.0055.0	CONNECTION BRACKET INSOLATION 2P for AWG12	1
36	70.0198.0	RUBBER TOP FOR C9B/C9 HOUSEING	1
37	114.0009.0	Rubber seal 65HARD	1
38	04.0031.0	TERMINAL CONNECTOR	2
39	00.0002.7	SCREW 4 X 10	2
40	114.0016.0	EVA MAT I-move	1
41	73.0002.3	SCREW ST5.05 X 16	6
42	114.0003.X	Motor house I-move	1
43	20.0032.0	NUT M3 NYLON STAINLESS	1
44	66.0301.0	COUNTER SUNK SCREW M3*15	1
45	73.0006.X	CLIP FILTER CASSETTE C09	1
46	77.0012.0	FILTER CASSETTE C06/9 BLACK [PP MATERIAL]	1
47	85.1035.0	SCREW ST3 X 10 CROSS HEAD WASHER BL-NI	4
48	105.0036.0	MAIN PCB C5 BATTERY	1
49	70.0185.0	WIRE RED L=200 MM RV3.5-4/MALE PIN AWG12	1
50	70.0186.0	WIRE BLACK L=200 MM RV3.5-4/MALE PIN AWG12	1
51	72.0068.X	BATTERY CONNECTOR MALE	1
52	72.0057.0	SCREW WN 5451 25X10 EJOT DELTA PT [MCH 1416-1001-2150]	2
53	85.0050.1	ALIGNMENT PIN LONGER VERSION	2
54	10.0027.0	PIGTAIL & NUT PG9	1
55	114.0004.X	PCB house I-move	1
56	114.0014.0	Rubber feet I-move	4
57	75.0003.0	OUTLET 2P FOR C9B DC24V female	1
58	114.0005.0	Air diffuser ESD PP I-move, Kleur: Black	1
59	114.0017.0	LOGO PLATE	1
60	70.0187.0	WIRE RED L=200MM 187/250 CSA AWG12	1
61	70.0188.0	WIRE BLACK L=200MM 187/250 CSA AWG12	1
62	105.0031.0	WIRE BLACK L=300 MM 187 AWG16	1
63	105.0032.0	WIRE RED L=300 MM 187 AWG16	1
64	70.0181.0	WIRE RED L=300 MM 250/RV3.5-4 AWG12	1
65	70.0182.0	WIRE BLACK L=300 MM 250/RV3.5-4 AWG12	1
66	00.0087.2/1	GASKET FLAT 12 X 3 (P/METER)	2
67	114.0011.0	CABLE GOMMET I-move	1



TOLERANCES UNSPECIFIED		REMARK:		 东莞硕能塑胶模具有限公司 ASSEMBLY AND MOULDING OF CLEANING	
LINE	ANGLE				
.xxx ±0.005	x ±2°	-		APPROVED	CHECKED
.xx ±0.05	.x ±1.5°	-		DISGNE	REV.
.x ±0.1	.xx ±1°	-		A	PART NAME
. ±0.2	.xxx ±0.5°	-		UNIT	I MOVE EXPLODED
xx ±0.5		-		mm	PART NO
xxx ±1		-		SCALE	PROJECT
SHEET 10F 1		DATE		15/05/218	
				A4	